

Reduced Glare

# AQUILA ALPHA

## DOWNLIGHT SERIES

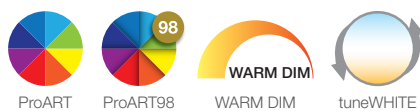
An expansion to the Aquila downlight series that is designed with a simplified modular concept but is more versatile. Made to be efficient and durable to suit mass deployment applications with demanding conditions, especially in commercial and hospitality sectors.



### Fixture Features



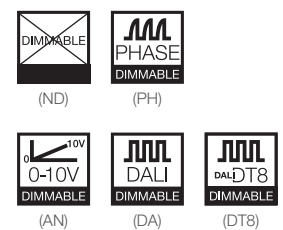
### Module Colour Temperature Variation



### Beam Angle



### Driver Dimming Variation



# AQUILA ALPHA 3 tuneWHITE

RECESSED ROUND FIX / TILT TUNABLE WHITE  
DOWNLIGHT LUMINAIRE 12W / 10W / 7W / 5W



#ROUND  
#TRIM



#ROUND  
#NARROWTRIM



#ROUND  
#TRIMLESS

## TECHNOLOGY AND FEATURES



Converging Optical Lens  
Maximising LOR



Ceiling  
Safe

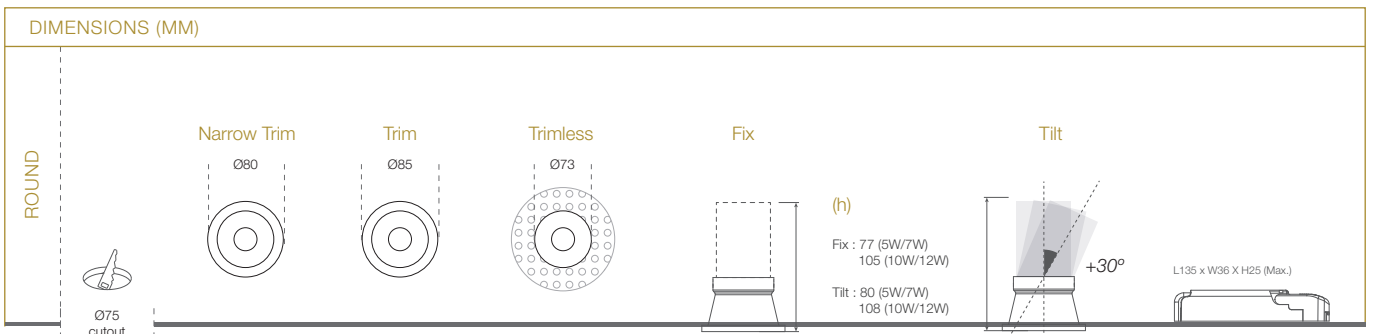
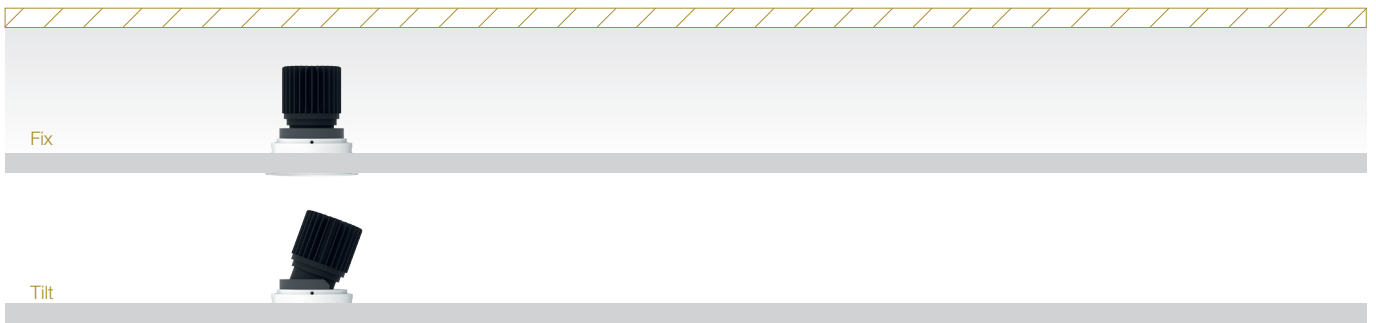
AVAILABLE OPTIONS						
<b>FIXTURE COLOUR OPTIONS</b>	Trim Colour Options	MATT WHITE RAL9003	MATT BLACK RAL9011	CHROME	CHROME BLACK	TITANIUM GOLD
	MATT WHITE RAL9003					
	MATT BLACK RAL9011					
<b>ACCESSORIES</b>	 Honeycomb Anti-Glare Louvre	 Soft Lens				
<b>LED MODULE</b>	tuneWHITE  2700K 5500K	 ProART	 tuneWHITE			
<b>DRIVER DIMMING</b>	 (DT8)					

# AQUILA ALPHA 3 TW

#ROUND  
#FIX  
#TILT  
#TRIM  
#TRIMLESS  
#NARROWTRIM

## SPECIFICATIONS

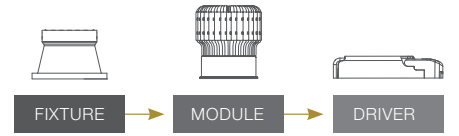
Family Type	Aquila Series
Mains Voltage	220-240V, 50Hz
Typical Operating Voltage	35V
Typical Operating Current	350mA (12W), 300mA (10W), 200mA (7W), 150mA (5W)
Lifetime	50,000 hours (80% lumen maintenance at Ta = 25°C), B10
Beam Angles	15°, 25°, 40°, 50°
Colour Temperatures	tuneWHITE 2700K - 5500K
CRI	ProART (CRI-95)
SDCM	3 steps MacAdam ellipse binning
Driver (Dimming)	DT8 (DALI DT8)
Mains Connection	Push-pin or screw terminals for convenient connection
Materials	Aluminium, plastic
Fire Safety	Glow wire test 850°C, UL94V-0, VW-1
Flammability Mark	F
Ingress Protection	IP54
Safety Class	Class 2
Standards	IEC 60598-1, IEC 61347-2-13
Regulatory Markings	CE, CCC, RoHS



Reduced Glare

# AQUILA ALPHA 3 TW

MODULAR CONCEPT



## PHOTOMETRICS

### AQUILA ALPHA 3 tuneWHITE

Height (m)	E(0°)	E <sub>max</sub> (lx)				AQUILA ALPHA 3 TW			Luminous Flux (lm)			
		15°	25°	40°	50°	LED Power	System Power	CRI	tuneWHITE 2700K - 5500K			
1	E(0°)	3603	3151	2250	1215	12W	15W	ProART CRI-95	15°	25°	40°	50°
	Cone Ø (m)	0.40	0.50	0.69	1.02				864	936	948	960
2	E(0°)	901	788	562	304	10W	13W	ProART CRI-95	15°	25°	40°	50°
	Cone Ø (m)	0.79	1.00	1.39	2.04				770	830	840	850
3	E(0°)	400	350	250	135	7W	9W	ProART CRI-95	15°	25°	40°	50°
	Cone Ø (m)	1.19	1.51	2.08	3.06				567	609	616	623
4	E(0°)	225	197	141	76	5W	6.4W	ProART CRI-95	15°	25°	40°	50°
	Cone Ø (m)	1.58	2.01	2.77	4.08				435	465	470	475
5	E(0°)	144	126	90	49							
	Cone Ø (m)	1.98	2.51	3.46	5.10							

Correction Factor: AQUILA ALPHA 3 12W - f = 1.00  
 AQUILA ALPHA 3 10W - f = 0.89  
 AQUILA ALPHA 3 7W - f = 0.65  
 AQUILA ALPHA 3 5W - f = 0.49

Data are based on maximum output at highest CCT (5500K).  
 2700K will have a nominal data value of 10% lower than published.  
 Nominal CRI-95, equals to Ra>90-97, R9>50

## ORDERING MATRIX CHART

Type	Fixture											
	Trim Options		Shape		Angle		Colour		Reflector Colour		Accessories	
<b>AQUILA-ALPHA-3</b>	<b>T</b>	Trim	<b>RD</b>	Round	<b>FX</b>	Fix	<b>WH</b>	Matt White	<b>WH</b>	Matt White	<b>N</b>	None
	<b>NT</b>	Narrow Trim			<b>TL</b>	Tilt	<b>MB</b>	Matt Black	<b>MB</b>	Matt Black	<b>AGL</b>	Anti-Glare Louvre
	<b>X</b>	Trimless							<b>CR</b>	Chrome	<b>SL</b>	Soft Lens
									<b>CB</b>	Chrome Black		
									<b>TG</b>	Titanium Gold		

tuneWHITE LED Module						Driver			
LED Power		Beam Angle		Colour Temp		CRI		Dimming	
<b>12</b>	12W	<b>15</b>	15°	<b>TW2755</b>	tuneWHITE 2700K-5500K	<b>PA</b>	ProART	<b>DT8</b>	DALI DT8
<b>10</b>	10W	<b>25</b>	25°						
<b>7</b>	7W	<b>40</b>	40°						
<b>5</b>	5W	<b>50</b>	50°						

example: AQUILA-ALPHA-3.T.RD.TL.WH.CR.N.12.40.TW2755.PA.DT8